

Simple line mixer designs

Source: <http://sci.tech-archive.net/Archive/sci.electronics.basics/2007-08/msg00124.html>

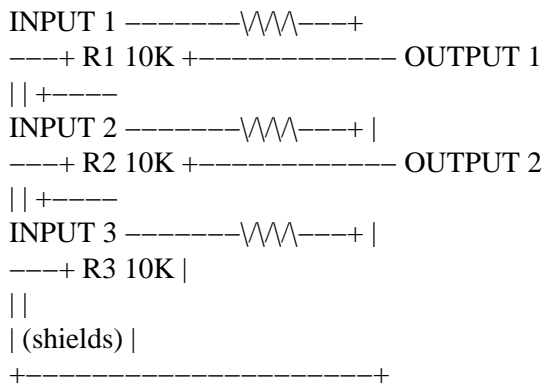
- *From:* Jean-Yvan Fradet <[jyfradet@xxxxxxxxx](mailto: jyfradet@xxxxxxxxx)>
 - *Date:* Mon, 06 Aug 2007 15:50:00 -0400
-

I have very basic knowledge in electronics.

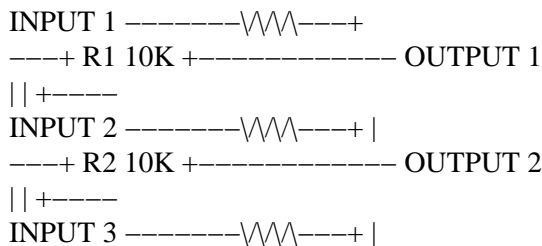
I am currently looking to build myself a passive simple line mixer. This is why I read carefully the two pages from Tomi Engdhal at <http://www.tkk.fi/Misc/Electronics/circuits/linesum.html> and <http://www.tkk.fi/Misc/Electronics/circuits/linemixer.html>. These were of great interest.

But it raised a few questions. In the section titled "Can I mix more than two outputs with this kind of circuit ?", Mr Engdhal wrote : "You you can expand this circuit to more channels if you add one resistor and one input connector for each new output. Connect them to the circuit in the same way as the existing inputs."

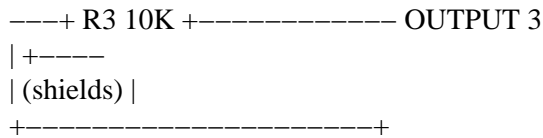
If I understood well, a simple line mixer with 3 inputs and 2 outputs should then look like this :



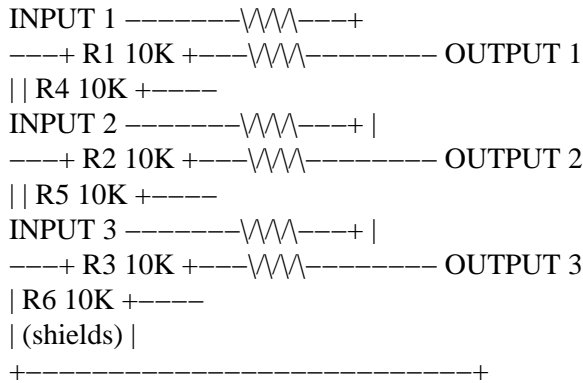
Since my project is to create a passive simple line mixer with 3 inputs and 3 outputs, I assumed it should look like this :



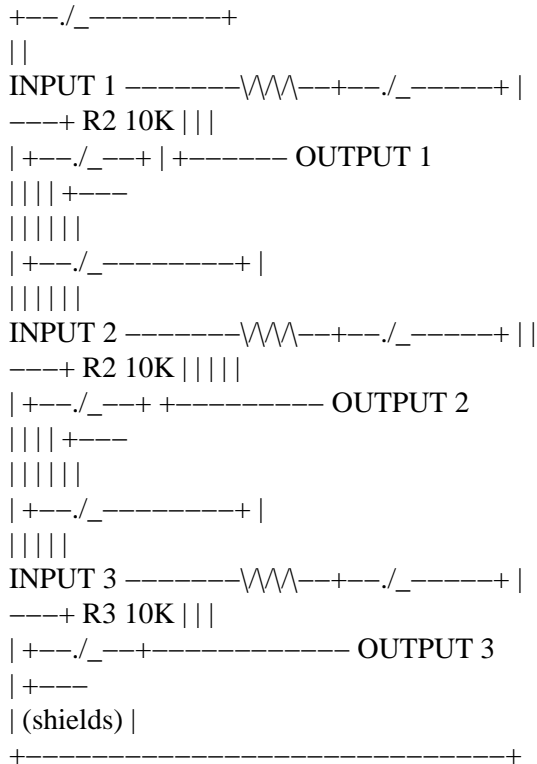
Simple line mixer designs



But after reading a few other articles, I guessed it could also look like this :



My goal is to be able to select to which output a signal would be sent to. Should it then look like the image below (where $-./_-$ is a switch to select an output) or with additional resistances before each outputs ?



Thanks in advance for your help. And please remember in your responses that I have very little knowledge in electronics.

Jean-Yvan

Simple line mixer designs