

Re: Need 12 volt ac to 24 volt ac transformer

## Re: Need 12 volt ac to 24 volt ac transformer

---

*Source:* <http://sci.tech--archive.net/Archive/sci.electronics.repair/2007-04/msg01328.html>

---

- *From:* "Arfa Daily" <[arfa.daily@xxxxxxxxxxxxx](mailto:arfa.daily@xxxxxxxxxxxxx)>
  - *Date:* Thu, 26 Apr 2007 08:43:53 GMT
- 

"Tim" <[tim@xxxxxxx](mailto:tim@xxxxxxx)> wrote in message  
<news:MPG.2099ddfdb4676a8e98975e@xxxxxxxxxxxxxxxxxxxxxxxxxxxxx>

In article <[gxSXh.189\\$N05.156@xxxxxxxxxxxxxxxxxxxxxxxxxxxxx](mailto:gxSXh.189$N05.156@xxxxxxxxxxxxxxxxxxxxxxxxxxxxx)>, [arfa.daily@xxxxxxxxxxxxx](mailto:arfa.daily@xxxxxxxxxxxxx) says...

<[billygoat@xxxxxxx](mailto:billygoat@xxxxxxx)> wrote in message  
<news:0ppv235o9mus4s8at62majkluoj0bj79r0@xxxxxxxxxxxxx>

On Wed, 25 Apr 2007 21:57:41 GMT, Tim <[tim@xxxxxxx](mailto:tim@xxxxxxx)>  
wrote:

In article  
<[k7iv23hqp7b19oaa8jdkth9aujrup6rc@xxxxxxx](mailto:k7iv23hqp7b19oaa8jdkth9aujrup6rc@xxxxxxx)>, [fzabkar@xxxxxxxxxxxxxxxxxxxxx](mailto:fzabkar@xxxxxxxxxxxxxxxxxxxxx) says...

On Wed, 25 Apr 2007  
14:18:20 GMT,  
[billygoat@xxxxxxx](mailto:billygoat@xxxxxxx) put  
finger to  
keyboard and composed:

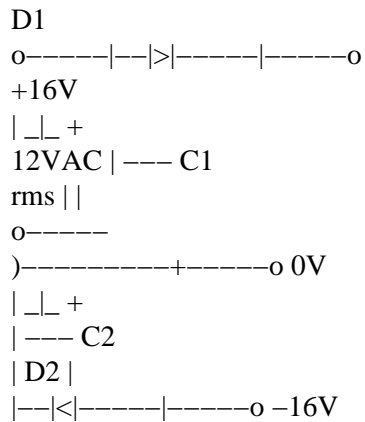
Hi I need to  
convert 12  
volts ac to  
24 volts ac  
for an  
outdoor  
lighting  
project low  
amperage,  
say 500 ma.  
I am  
looking for  
a small

Re: Need 12 volt ac to 24 volt ac transformer

boosting  
transformer  
on the  
cheap. Any  
suggestions  
on where I  
can  
find  
something  
like this?  
Alternately  
I could use  
a cheap 12  
volt ac to  
24  
volt dc  
converter.  
Google has  
turned up  
endless  
garbage for  
me.

Thanks

Here's a voltage doubling  
rectifier:



The unloaded output voltage  
is around 33V, but under  
load you may get  
closer to your target.

- Franc Zabkar

Re: Need 12 volt ac to 24 volt ac transformer

OR you could get one of those 220 to 110 travel adaptors and wire the 110 side to 12 VAC and get 24 VAC out the other side.

– Tim –

That sounds the the perfect idea.

Thanks

I rather think not, as the power rating of such an item is highly unlikely to be anywhere near the 300 watts or so that you require. At 24 volts, that equates to more than 12 amps ...

Arfa

300 Watts? He said 500ma right?  $24V \times .5A = 12W$  (roughly)

– Tim –

Indeed. I think I mis-understood his second post where he was talking about the actual lamps that he intended to use and the – quote – " (300 watt ac transformer) " I wrongly assumed that as he was talking about 12v and 24v lamps, and that the 12v ones had a 300 watt transformer to power them, we must have been talking halogens at 20 or 50 watts apiece. If the (few) 24v ones only require 500mA, then a transformer-based 'power converter', as you suggest, would certainly do the job. Sorry for any confusion.

Arfa

.